

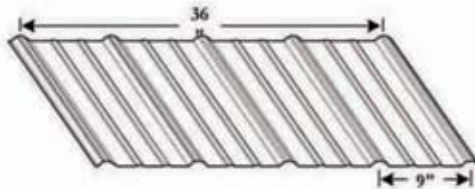
Classic Metals Inc.

2656 Lancaster Hwy  
Chester, SC 29706

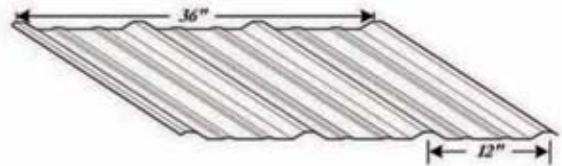
P O Box 249  
Chester, SC 29729

(803) 789-5500

***C-M RIB***



***R PANEL PBR***



***PBR OR C-M RIB 26 GA***  
***PAINTED 40 YEAR LTD. WARRANTY***

***C-M RIB 29 GA***  
***PAINTED 40 YEAR LTD. WARRANTY***

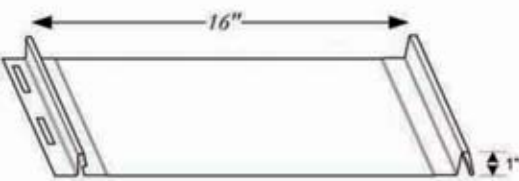
***PBR OR C-M RIB 26 GA***  
***GALVALUME PLUS 20 YEAR LTD. WARRANTY***

***C-M RIB 29 GA***  
***GALVALUME PLUS 20 YEAR LTD. WARRANTY***

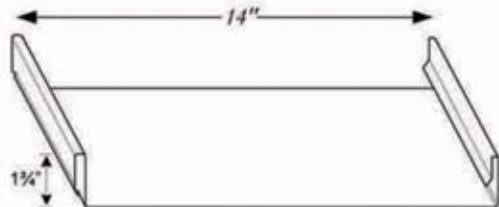
*Panel Products Sold And Invoiced Per Lineal Foot. Painted Materials Available In Limited Colors, See Color Chart Or Call For Selections.  
Minimum Sheet Length Is Four Feet.*

# Classic Metals Inc.

## ***SNAP LOK 110***



## ***SNAP LOK 130***



***SNAP LOK 110***  
***NAIL STRIP 16" PAN***  
***PAINTED 40 YEAR LTD. WARRANTY 26 GA***


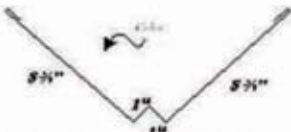

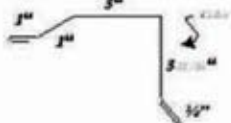

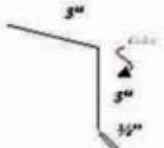
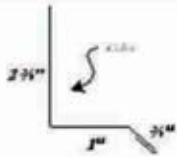

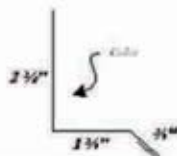
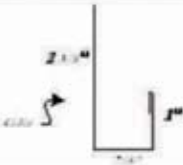
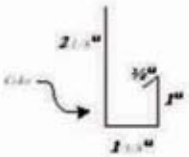
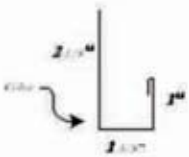
***SNAP LOK 110***  
***NAIL STRIP 16" PAN***  
***GALVALUME PLUS 20 YEAR LTD. WARRANTY 26 GA***

***SNAP LOK 130***  
***CLIP SYSTEM 14" PAN***  
***PAINTED 40 YEAR LTD. WARRANTY 26 GA***

***SNAP LOK 130***  
***CLIP SYSTEM 14" PAN***  
***GALVALUME PLUS 20 YEAR LTD. WARRANTY 26 GA***

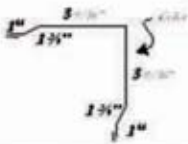



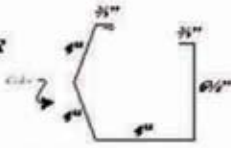
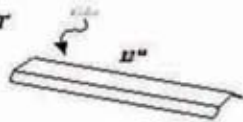

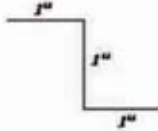
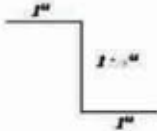
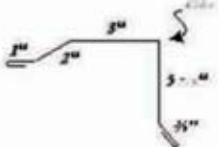
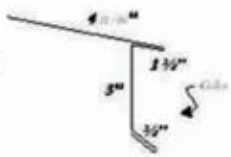
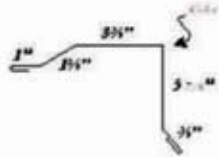
*Panel Products Sold And Invoiced Per Lineal Foot. Painted Materials Available In Limited Colors, See Color Chart Or Call For Selections. Minimum Sheet Length Is Two Feet. Snap Lok 110 Is Approved For 110 MPH Wind Load And Snap Lok 130 Is Approved For 130 MPH Wind Load. Both Profiles Are Available In Flat, Minor Ribs Or Striations. Oil Canning Is Not A Reason For Rejection. Written Limited Warranty Provided Upon Request For Applicable Orders.*

# Classic Metals Inc.

<p><b>PART #01</b> <b>DELUXE RIDGE CAP</b></p>  <p>Girth = 15-1/2"</p>	<p><b>PART #02</b> <b>W VALLEY</b></p>  <p>Girth = 10-3/4"</p>
<p><b>PART #03</b> <b>R/C RIDGE CAP</b></p>  <p>Girth = 16-3/4"</p>	<p><b>PART #04</b> <b>GABLE TRIM</b> <b>C-M RIB</b></p>  <p>Girth = 16-1/2"</p>
<p><b>PART #05</b> <b>PLAIN RIDGE CAP (HIP)</b></p>  <p>Girth = 15-1/2"</p>	<p><b>PART #06</b> <b>EAVE TRIM</b></p>  <p>Girth = 7"</p>
<p><b>PART #07</b> <b>DRIP CAP</b> <b>C-M RIB</b></p>  <p>Girth = 5"</p>	<p><b>PART #08</b> <b>OUTSIDE CORNER</b> <b>C-M RIB</b></p>  <p>Girth = 15-1/2"</p>
<p><b>PART #09</b> <b>BASE TRIM</b> <b>PBR</b></p>  <p>Girth = 5"</p>	<p><b>PART #10</b> <b>J CHANNEL</b> <b>C-M RIB</b></p>  <p>Girth = 5"</p>
<p><b>PART #11</b> <b>JAMB TRIM</b> <b>PBR</b></p>  <p>Girth = 5"</p>	<p><b>PART #12</b> <b>HEAD TRIM</b> <b>PBR</b></p>  <p>Girth = 5"</p>


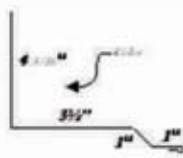
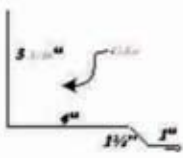
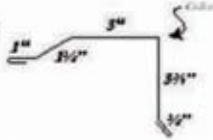
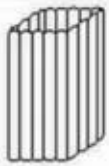

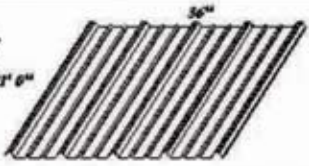
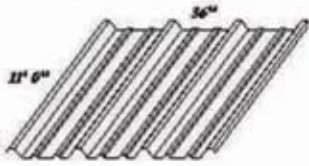
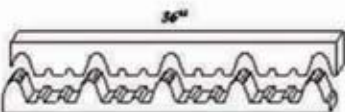



Trim Items Priced By Linear Foot And Sold By Each With 7'0" Minimum Length

# Classic Metals Inc.

<p><b>PART #13</b> <b>OUTSIDE CORNER</b> <b>PBR</b></p>  <p>Girth = 15'-0"</p>	<p><b>PART #14</b> <b>WALL TO ROOF TRANSITION</b></p> <p><b>SECURY FITCH</b></p>  <p>Girth = 15'-0"</p>
<p><b>PART #15</b> <b>WALL FLASHING</b></p>  <p>Girth = 10'-0"</p>	<p><b>PART #16</b> <b>TRANSITION TRIM</b></p> <p><b>SECURY FITCH</b></p>  <p>Girth = 15'-0"</p>
<p><b>PART #17</b> <b>SCULPTURED</b> <b>HANG ON GUTTER</b></p>  <p>Girth = 10'-0"</p>	<p><b>PART #18</b> <b>GUTTER SUPPORT</b> <b>PBR</b></p>  <p>Girth = 3"</p>
<p><b>PART #19</b> <b>SCULPTURED</b> <b>EAVE GUTTER</b></p>  <p>Girth = 24"</p>	<p><b>PART #20</b> <b>Z CLOSURE</b> <b>SNAP LOK 110</b></p>  <p>Girth = 3"</p>
<p><b>PART #21</b> <b>Z CLOSURE</b> <b>SNAP LOK 130</b></p>  <p>Girth = 5'-0"</p>	<p><b>PART #22</b> <b>GABLE TRIM</b> <b>SNAP LOK 130</b></p>  <p>Girth = 15'-0"</p>
<p><b>PART #23</b> <b>EAVE TRIM</b> <b>SNAP LOK 110 &amp; 130</b></p>  <p>Girth = 16'-0"</p>	<p><b>PART #24</b> <b>GABLE TRIM</b> <b>SNAP LOK 110</b></p>  <p>Girth = 15'-0"</p>









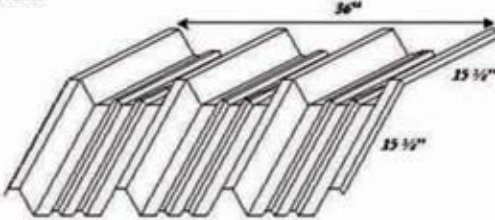
Trim Items Priced By Linear Foot And Sold By Each With 7'0" Minimum Length

# Classic Metals Inc.

<p><b>PART #25</b> <b>SCULPTURED RAKE</b> <b>PBR</b></p>  <p>Girth = 16-1/2"</p>	<p><b>PART #26</b> <b>SIDEWALL</b> <b>C-M RIB</b></p>  <p>Girth = 16-1/2"</p>
<p><b>PART #27</b> <b>SIDEWALL</b> <b>PBR</b></p>  <p>Girth = 16-1/2"</p>	<p><b>PART #28</b> <b>RESIDENTIAL GABLE</b> <b>PBR</b></p>  <p>Girth = 16-1/2"</p>
<p><b>DOWNSPOUT</b></p> <p>3" X 4"</p> 	<p><b>DOWNSPOUT</b> <b>ELBOW</b></p> <p>3" X 4" X 70"</p> 
<p><b>SKYLIGHT</b> <b>C-M RIB</b></p> <p>1" 6"</p> <p>White Opal 5 Oz.</p> 	<p><b>SKYLIGHT</b> <b>R PANEL</b></p> <p>1" 6"</p> <p>White Opal 5 Oz.</p> 
<p><b>CLASSIC RIB Closures</b> <b>With Glue</b></p> <p>Outside →</p> <p>Inside →</p> 	<p><b>R Panel Closures</b> <b>With Glue</b></p> <p>Outside →</p> <p>Inside →</p> 
<p><b>Vented Closure</b> <b>With Glue</b></p> <p>R Panel 25' Roll</p> <p>Tuff Rib 50' Roll</p> 	<p><b>TOUCH UP PAINT</b> <b>12 OZ. SPRAY CAN</b> <b>STANDARD COLORS</b></p> 


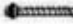

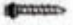

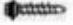


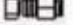





Trim Items Priced By Linear Foot And Sold By Each With 7'0" Minimum Length

# Classic Metals Inc.

<p><b>GUTTER END CAP</b></p>  <p><b>SPECIFY LEFT OR RIGHT</b> <b>FITS PART #17 &amp; #19</b></p>	<p><b>SOLARGUARD REFLECTIVE INSULATION</b></p>  <p><math>\frac{1}{4}'' \times 4' \times 125'</math> Roll <math>\frac{1}{2}'' \times 6' \times 125'</math> Roll</p>
<p><b>Butyl Tape</b></p> 	<p><b>INSULATION TAPE</b></p> <p><b>DOUBLE SIDED TAPE</b> <math>1\frac{1}{2}'' \times 180'</math> ROLL</p>  <p><b>PATCH TAPE</b> <math>3'' \times 150'</math> ROLL</p> 
<p><b>PERSONNEL DOOR &amp; FRAME</b></p>  <p><b>5070 White</b> <i>Complete With Hardware</i></p> <p><b>6070 White</b> <i>Complete With Hardware</i></p>	<p><b>GEOCEL 2300</b> <b>TRIPOLYMER</b> <b>SEALANT</b> <b>18.3 OZ. TUBE</b></p> 
<p><b>PIPE BOOTS</b></p>  <p>#3 (<math>\frac{1}{4}'' - 5''</math> ID) #5 (<math>4'' - 7\frac{1}{2}''</math> ID) #7 (<math>7'' - 11''</math> OD) #8 (<math>7'' - 13''</math> OD) #9 (<math>10'' - 19''</math> OD)</p> <p>#3 High Temp (<math>\frac{1}{4}'' - 5''</math> OD) #5 High Temp (<math>4\frac{1}{4}'' - 7\frac{1}{2}''</math> OD) #8 High Temp (<math>7'' - 13''</math> OD) #9 High Temp (<math>10'' - 19''</math> OD)</p> <p>801 Retrofit (<math>\frac{1}{4}'' - 2\frac{1}{4}''</math> OD) 802 Retrofit (<math>2'' - 7\frac{1}{4}''</math> OD) 803 Retrofit (<math>3\frac{1}{4}'' - 10''</math> OD)</p>	<p><b>CUSTOM TRIM</b></p> <p><i>Custom Trim Available</i></p>
	<p><b>FORMED RIDGE CAP</b> <b>R PANEL</b> <b>26 GA</b></p>  <p><b>SECURY FITCH</b></p>

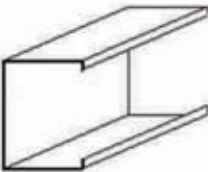
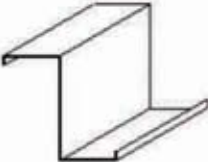
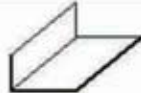





*Trim Items Priced By Lineal Foot And Sold By Each With 7'0" Minimum Length*

# Classic Metals Inc.

<i>Item</i>	<i>Length</i>	
<b>WOODGRIP SCREW</b> <i>METAL TO WOOD FASTENER WITH WASHER</i>	  	<i>1 1/2"</i> <i>2"</i> <i>2 1/2"</i>
<b>LONG LIFE WOODGRIP SCREW</b> <i>METAL TO WOOD FASTENER WITH WASHER</i>		<i>1 1/2"</i>
<b>METAL SCREW</b> <i>METAL TO METAL FASTENER WITH WASHER</i>		<i>1 1/4"</i>
<b>LONG LIFE METAL SCREW</b> <i>METAL TO METAL FASTENER WITH WASHER</i>		<i>1 1/4"</i>
<b>LAP/STITCH SCREW</b>		<i>7/8"</i>
<b>LONG LIFE LAP/STITCH SCREW</b>		<i>7/8"</i>
<b>Purlin Bolt/Nut Set</b> <i>A307/A307</i>		<i>1/2" X 1"</i>
<b>PANCAKE SCREW</b> <i>LOW PROFILE CLIP FASTENER</i> <i>#2 SQUARE/PHILLIPS RECESS DRIVE</i>		<i>1 1/2"</i>
<b>DECK SCREW</b> <i>#2 SQUARE RECESS DRIVE</i>		<i>2 1/2"</i>
<b>SQUARE BIT DRIVER</b>		<i>#2 SQUARE</i>
<b>NUT DRIVER</b> <i>MAGNETIC SOCKET</i>		<i>1/4" OR 5/16"</i>
<b>RIVET</b> <i>BLIND ALUMINUM</i>		<i>1/8" X 3/16"</i>

*All Fasteners Sold In 250 Piece Increments*

# Classic Metals Inc.

Item	Call For Custom Sizes	Stock Size
	<b>CEE Purlin</b> <i>Red Oxide</i> <i>No Punch</i>	<i>16 GA X 4" X 2" X 20'</i> <i>16 GA X 6" X 2" X 20'</i> <i>16 GA X 6" X 2" X 25'</i> <i>14 GA X 8" X 2½" X 20'</i> <i>14 GA X 8" X 2½" X 25'</i> <i>14 GA X 8" X 2½" X 30'</i>
	<b>ZEE Purlin</b> <i>Red Oxide</i> <i>No Punch</i>	<i>16 GA X 4" X 2" X 20'</i> <i>16 GA X 6" X 2" X 21'</i> <i>16 GA X 6" X 2½" X 25'</i> <i>14 GA X 8" X 2½" X 21'</i> <i>14 GA X 8" X 2½" X 26'</i> <i>14 GA X 8" X 2½" X 34'</i>
	<b>Rake / Base Angle</b> <i>Red Oxide</i>	<i>14 GA X 2" X 4" X 20'</i>
	<b>Hat Channel</b>	<i>1½" X 20'</i>
	<b>Eave Strut</b> <i>Red Oxide</i>	<i>Ordered To Specific Length</i>
	<b>Wood Slat</b> <i>1" X 4" X 10'</i>	
	<b>Purlin/Girt Clip</b> <i>Red Oxide</i>	
	<b>Purlin Bolt/Nut Set</b> <i>A307/A307</i>	<i>1/2" X 1"</i>